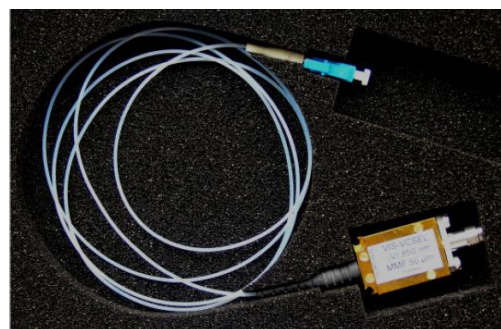


Up to 25 Gbit/s VCSEL Multi-Mode Fiber-Coupled Module (850 nm)

WITH FC CONNECTORIZED FIBER PIGTAIL

Product Code: V25-850M up to 25 Gbit/s



Not hermetically sealed

Preliminary

Product Description

Ultra high-speed transmitter module for test purpose with integrated 850nm VCSEL fiber coupled to OM3 (multimode) fiber for optical output.

Features

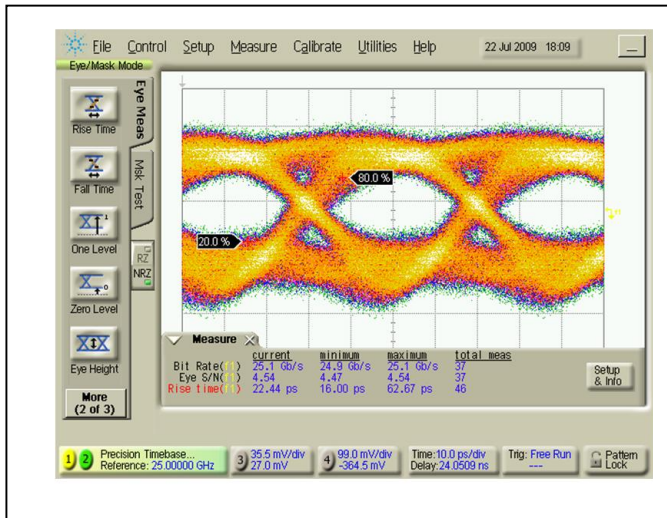
- OM3 MMF Pigtail (50 μ m core, 1 m length)
- Anritsu V electrical connector
- FC/PC optical connector (LC type by request)

Applications

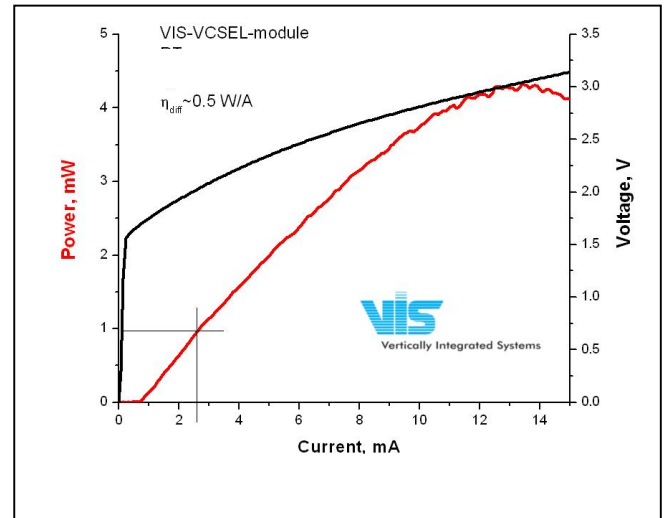
- 16G Fibre Channel systems tests
- CEI-25 (25 and 28 Gb/s) systems tests
- USB 3.0 and 4.0 systems link tests
- 10G or 25G Ethernet channel testing

Parameter	Typical	Notes
Emission Wavelength	850 nm	available from 835 – 860 nm
Data rate	Up to 25 Gbit/s	
Rise time (10% to 90%)	9ps	
Differential Efficiency	> 70%	
Threshold Current	< 1 mA	
Peak Output Power	4 mW	up to 80 °C

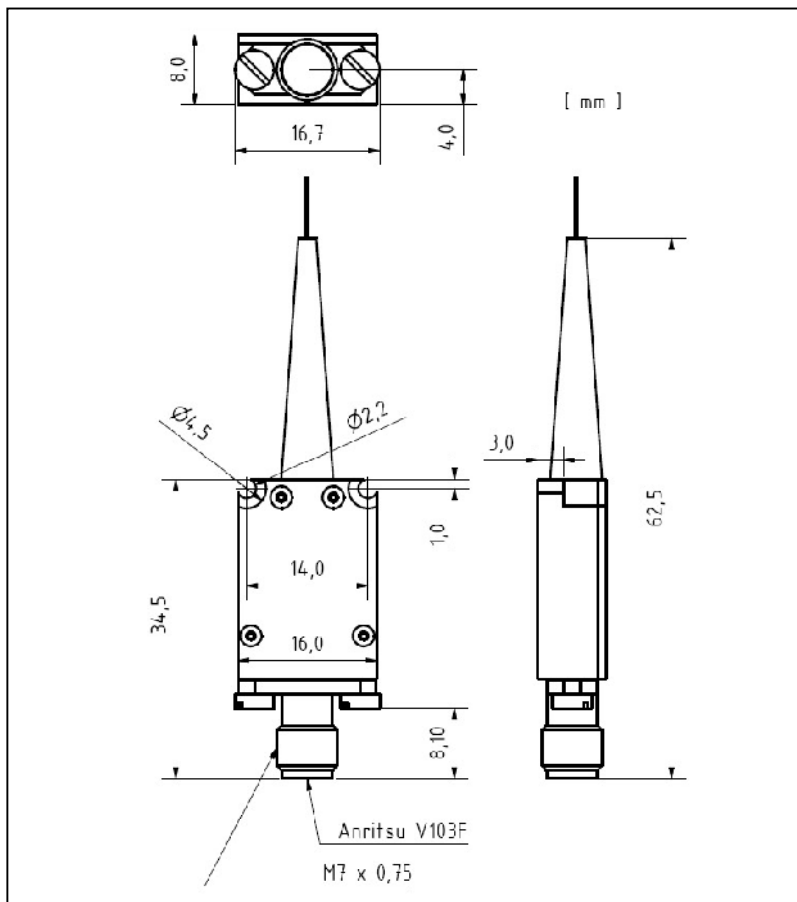
Eye Diagram



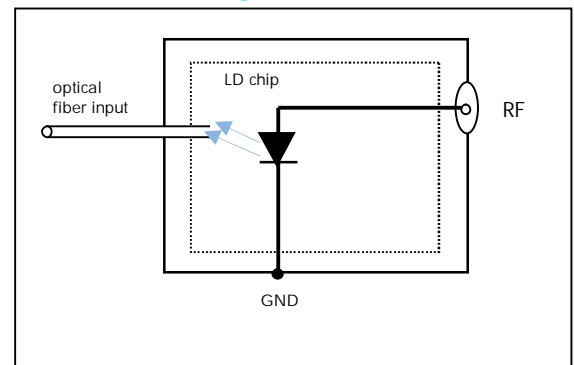
L-I-V Diagram



Mechanical dimensions



Schematic Diagram



LASER RADIATION. DO NOT VIEW DIRECTLY WITH OPTICAL INSTRUMENTS CLASS 1M LASER PRODUCT

VI Systems GmbH
Hardenbergstrasse 7
10623 Berlin
Tel.: +49 30 3083143 30
Fax: +49 30 3083143 59
sales@v-i-systems.com
www.v-i-systems.com